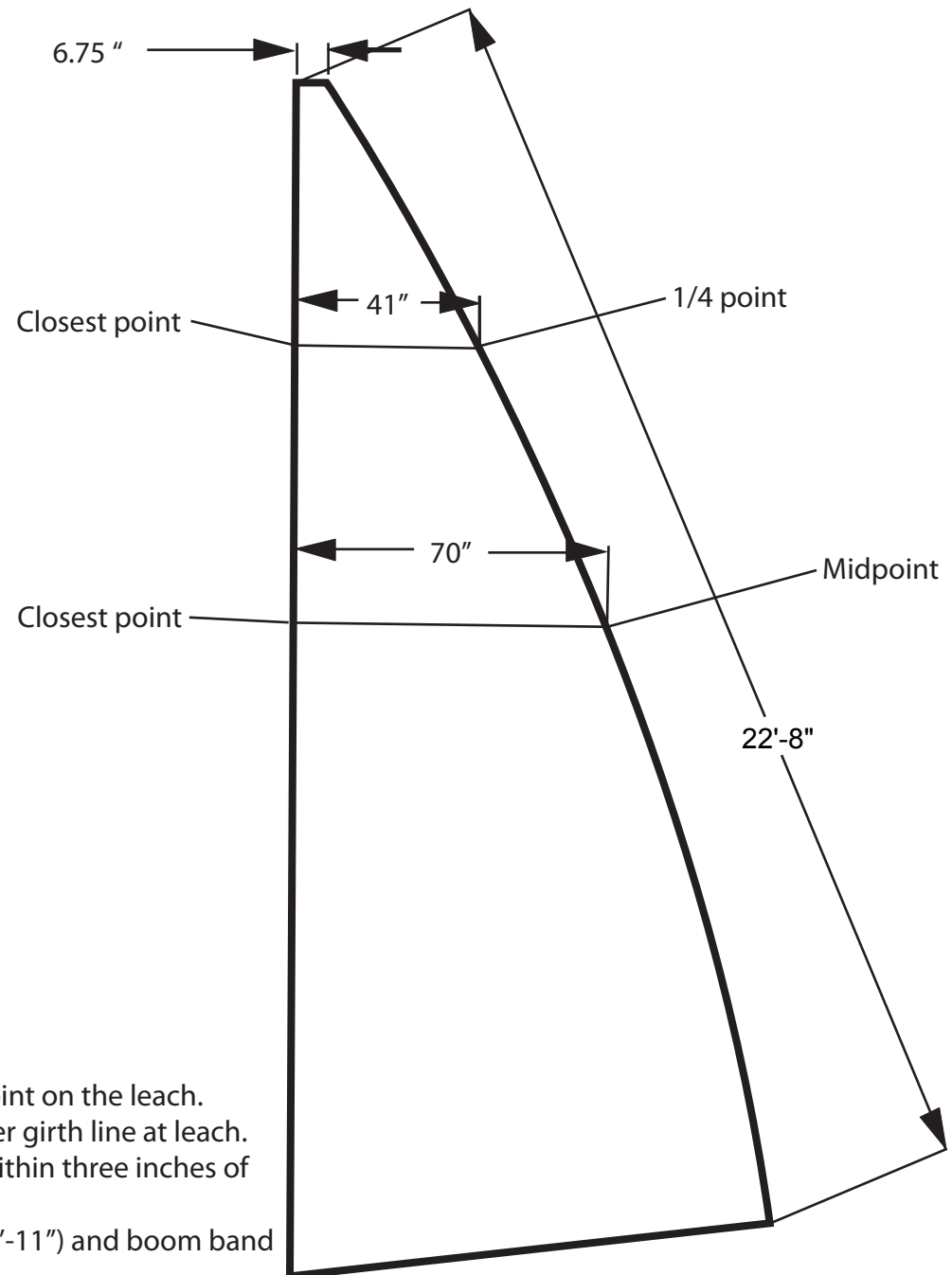
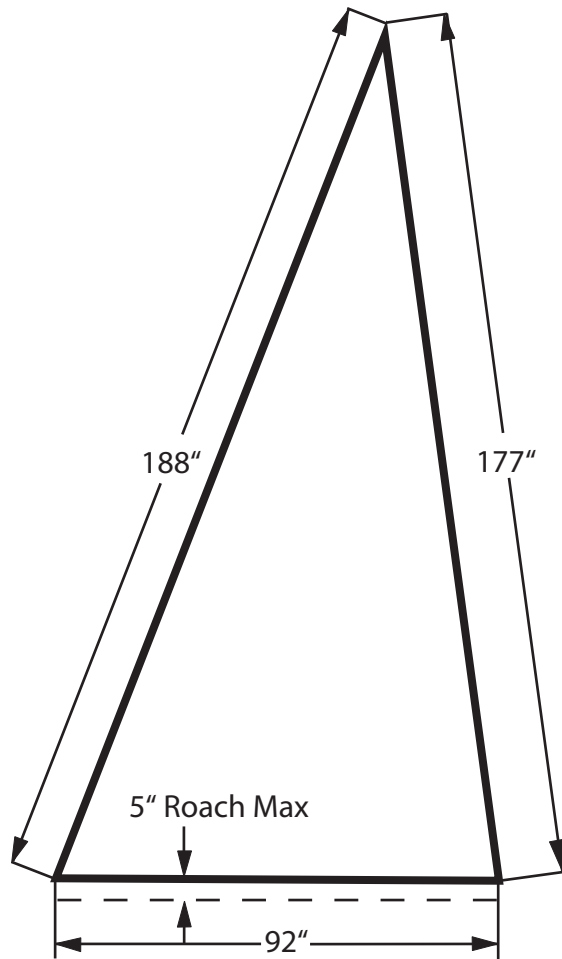


Mercury Class Main and Jib Measurements



Procedures For Measuring A Mercury Mainsail

- (1.) Place head and clew measuring points together, mark the midpoint on the leach.
- (2.) Place head measuring point on leach mid-point mark, mark upper girth line at leach.
- (3.) Measure girth at two places. Center of batten pockets must be within three inches of the top 1/4, 1/2 leach points.
- (4.) Mainsail foot length and luff length are limited by mast band (21'-11") and boom band (9'-1").